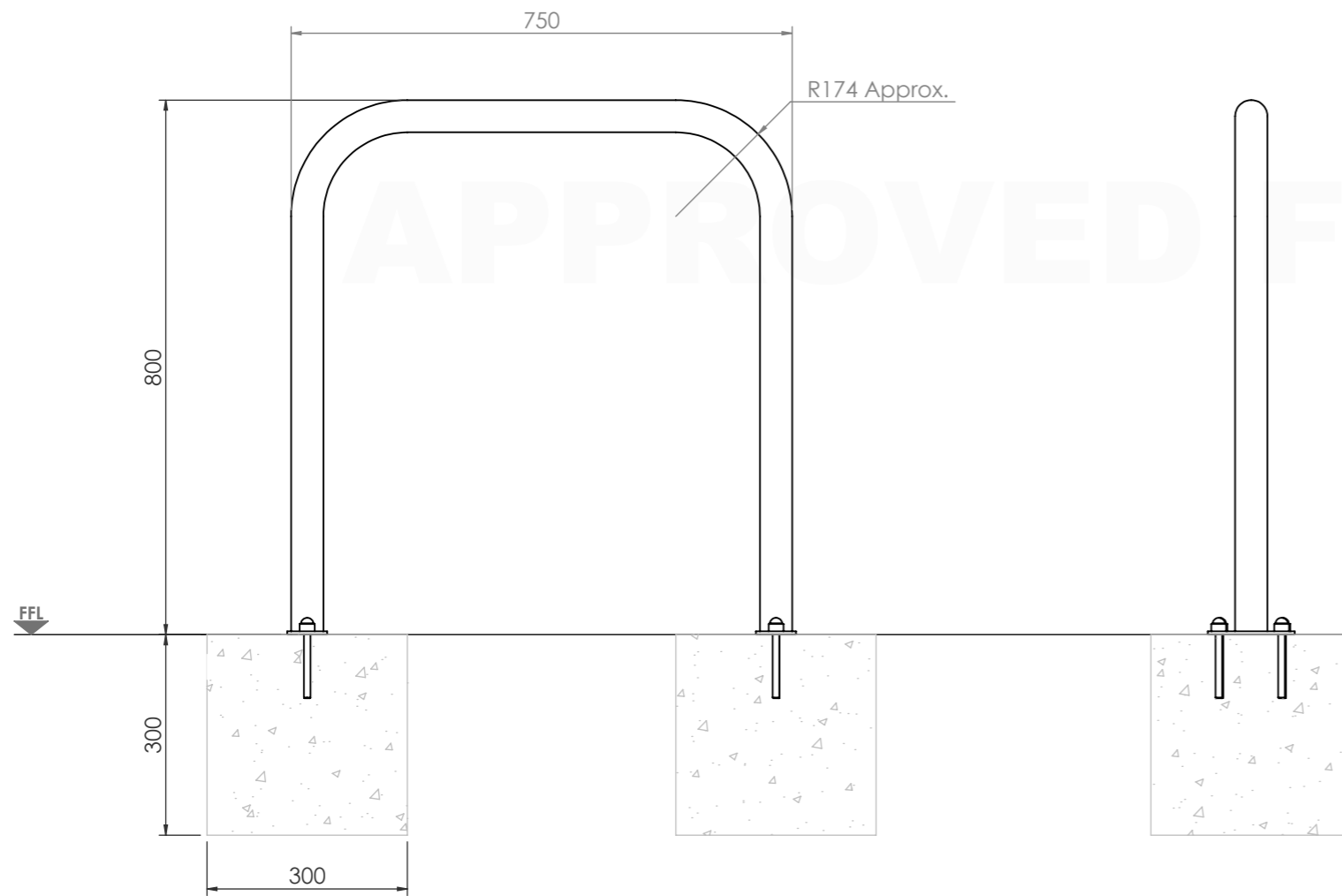


FULLY WELDED Ø 48.3x3 STEEL TUBE  
HOT-DIP GALVANISED TO BS EN ISO  
1461:2009 AS STANDARD

6mm SURFACE MOUNTING  
BASEPLATES



**INSTALLATION:**  
RECOMMENDED Min. FOUNDATION AS SHOWN IN  
C16/20 CONCRETE. **SITE ENGINEER TO DETERMINE**  
**APPROPRIATE SIZE AND COMPOSITION OF ANY**  
**FOUNDATIONS BASED ON LOCAL GROUND**  
**CONDITIONS**

INSTALLATION Via **4no. M10x100 THUNDERBOLT**  
**GROUND FIXINGS**

APPROXIMATE TOTAL WEIGHT: 8.5 kg

CYCLE PARKING ITEM SUPPLIED TO SITE FULLY  
ASSEMBLED  
ANY GROUND FIXINGS SUPPLIED BY OTHERS

**GENERAL ARRANGEMENT:**  
**SHEFFIELD CYCLE STAND**



Adlington Business Park, London Road, Adlington, Cheshire, SK10 4NL  
Tel: 01625 322 888 | enquiries@bsfg.co.uk

<b>BSFG Doc. NUMBER:</b> 106.0036.031.AA-BSFG-XX-XX-DR-X-0031_0	<b>Doc. TYPE</b> GA	<b>DRW:</b> TS	<b>DATE:</b> 10/06/2025
<b>BSFG Doc. TITLE:</b> GENERAL ARRANGEMENT - SHEFFIELD CYCLE STAND	<b>SHEET:</b> 1 OF 1	<b>CHK:</b> KL	<b>DATE:</b> 25/06/2025
<b>PART NUMBER:</b> SHEFFIELD CYCLE STAND	<b>SCALE:</b> 1:10 @A3	<b>APP:</b> TS	<b>DATE:</b> 25/06/2025
<b>PART CONFIGURATION:</b> SM	<b>BSFG Doc. STATUS:</b> APPROVED FOR ISSUE		
<b>BSFG JOB NUMBER:</b> STANDARD PRODUCT	<b>3rd ANGLE PROJECTION</b>	<b>DO NOT SCALE FROM DRAWING DIMENSIONS IN mm UNLESS STATED OTHERWISE</b>	<b>BSFG Doc.REV:</b> <b>0</b>

BSFG Doc. REVISIONS					
REV.	BY	DESCRIPTION	DATE	CHKD	APVD

PRODUCTS WILL BE SUPPLIED WITH A SMALL IDENTIFICATION LABEL. IF YOU WOULD LIKE THIS REMOVED PRIOR TO DELIVERY PLEASE SPECIFY AT TIME OF ORDER